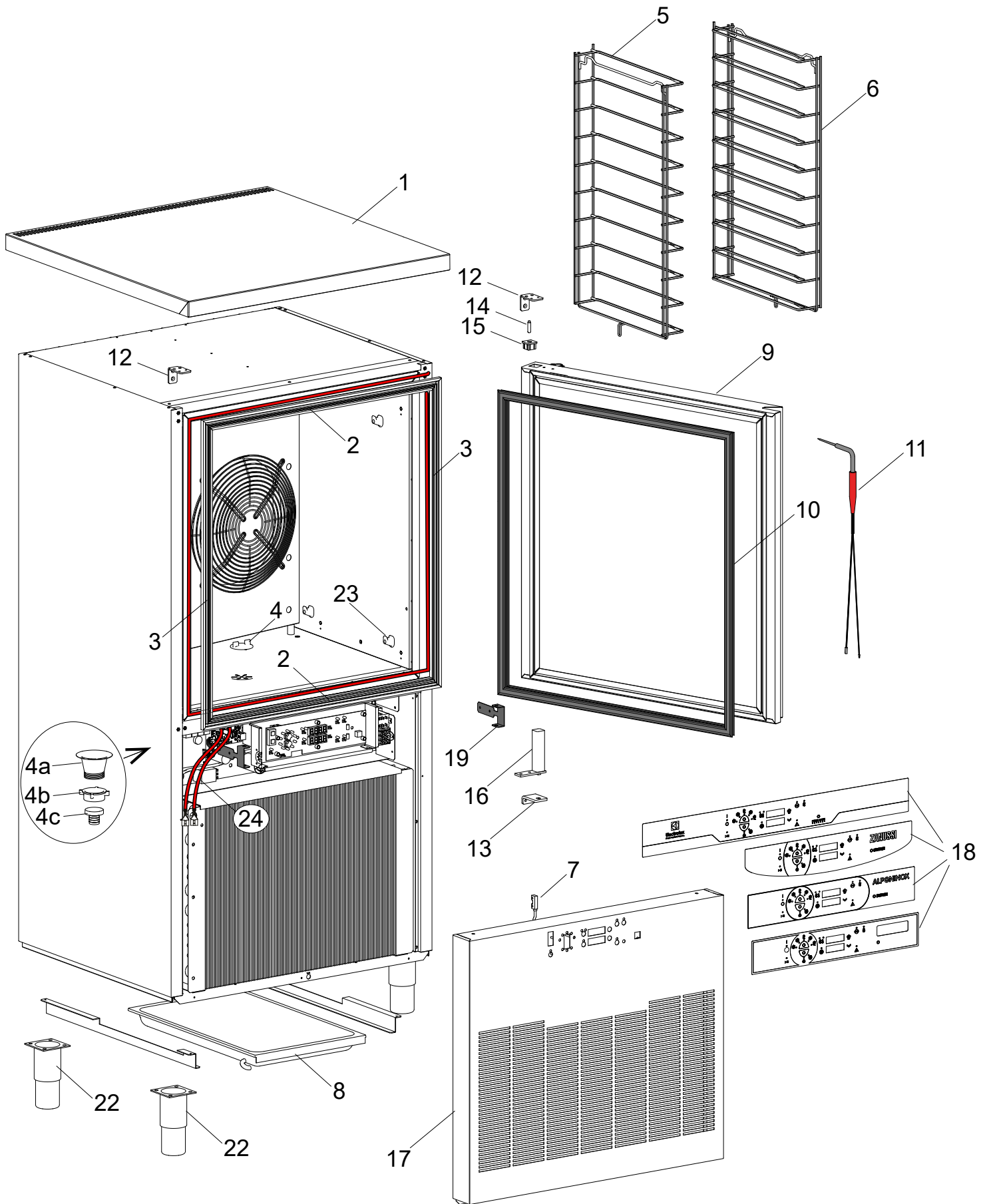


INDEX - INDICE

PAG.

| | |
|---|-----|
| CABINET AND DOOR | 3 |
| SPARE PART LISTS - CABINET AND DOOR | 4 |
| COOLING UNIT AND CONTROL PANEL | 5 |
| SPARE PART LISTS - COOLING UNIT AND CONTROL PANEL | 6-7 |



CABINET AND DOOR

From Ser. Nr.
Up to Ser. Nr.

Ed. 01 2023-03
Ed. 01 2023-03

Page: 3 @

Doc No:595R07J00

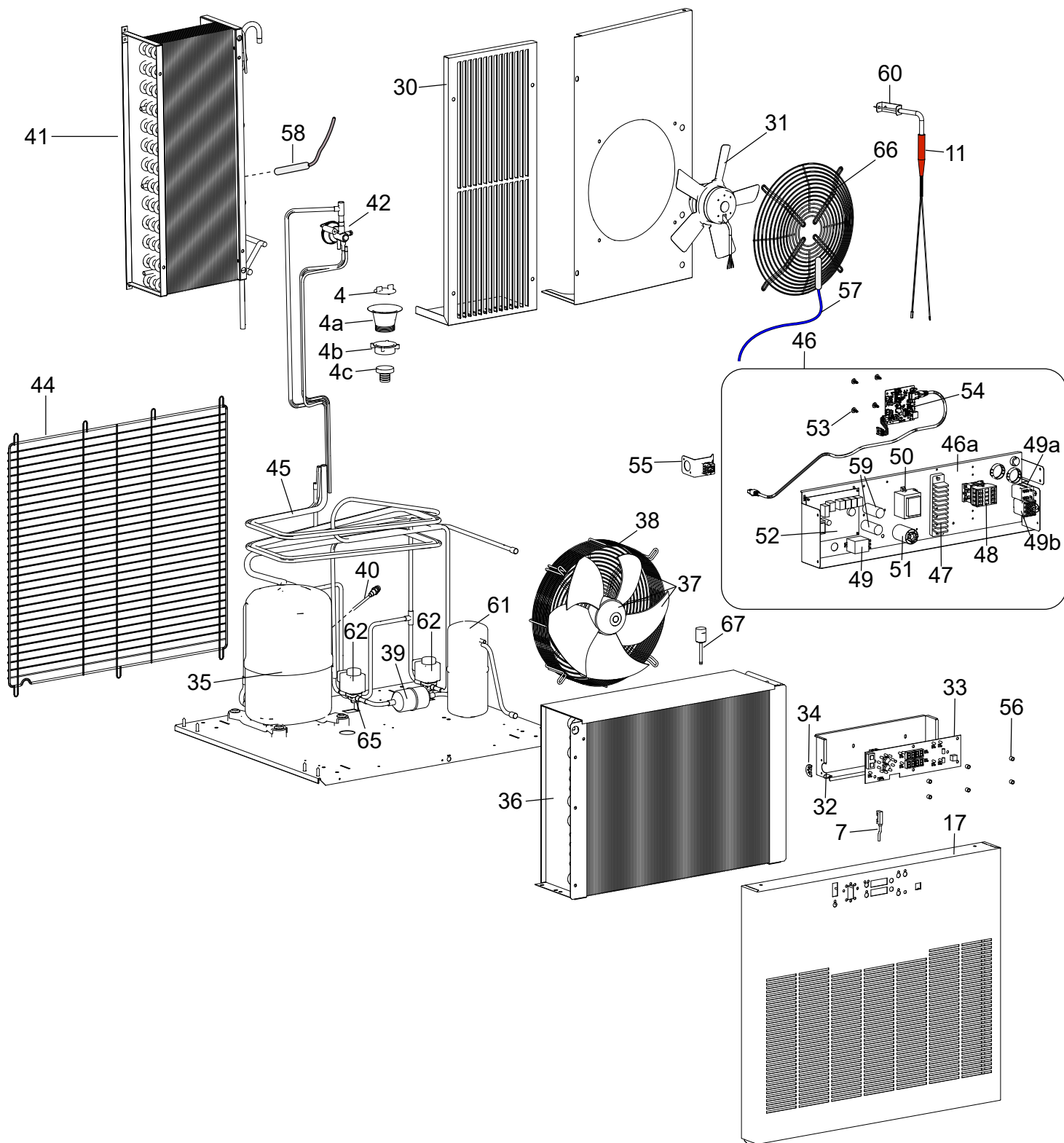
| POS | FACTORY CODE | S.P. CODE | DESCRIPTION | V | W&T | REF. | NOTES | S/N BREAK (YYYY/WK) |
|-----|--------------|-----------|----------------------------------|---|-----|---------------|--------------------|---------------------|
| 1 | 0830774805 | 085759 | Top for freestanding appliance | | x | | | |
| 2 | 0505781301 | 092883 | Horizontal frame | x | | | | |
| 3 | 0505783101 | 090003 | Vertical frame | x | | | | |
| 4 | 0546R27300 | 093934 | Plug for pipe | | x | | | |
| 4a | 0546R25400 | 094255 | Discharge pipe | | x | | | |
| 4b | 0546R26900 | 094257 | Nut | | x | | | |
| 4c | 0546R26200 | 094256 | Rubber support for pipe | | x | | | |
| 5 | 0514R31401 | 097678 | Left shelf rack | x | | | | |
| 6 | 0514R31501 | 097679 | Right shelf rack | x | | | | |
| 7 | 0640R00D00 | 097671 | Door microswitch | x | | | | |
| 8 | 0242452410 | 080803 | Water condenser basin | | x | | | |
| 9 | 0875R06L01 | 097699 | Door assembly | x | | | | |
| 10 | 0543750202 | 083397 | Door gasket | x | | | | |
| 11 | 0646R06Z00 | 097682 | One sensor food probe | x | | | | |
| 12 | 0506753502 | 085754 | Upper hinge door | x | | | | |
| 13 | 0506753604 | 085755 | Lower hinge door | x | | | | |
| 14 | 0506717801 | 0A9124 | Door hinge pin | x | | | | |
| 15 | 0544709200 | 083875 | Door hinge bush | x | | | | |
| 16 | 0835714501 | 083876 | Door hinge lowered pin | x | | | | |
| 17 | 0805R01G02 | 097687 | Control panel without components | | x | c; d | EPR | |
| 17 | 0805R01H01 | 097688 | Control panel without components | | x | a; b; e; f; g | ZAN, APX, TO BRAND | |
| 18 | 0755R16800 | 097668 | EPR control sticker | x | | c; d | EPR | |
| 18 | 0755R16900 | 097667 | ZAN control sticker | x | | a; b | ZAN | |
| 18 | 0755R17001 | 097683 | APX control sticker | x | | g | APX | |
| 18 | 0755R17100 | 097666 | To brand control sticker | x | | e, f | TO BRAND | |
| * | 0755R17200 | 097684 | Logo for Engefood sticker | x | | e | Engefood | |
| 19 | 0512773002 | 097672 | Control panel support | | x | | | |
| 22 | 0855631900 | 048579 | Feet | x | | | | |
| 23 | 0546703802 | 083878 | Hook racks support | x | | | | |
| 24 | 0617713304 | 084724 | Heating cable | | x | | | |
| | | | | | | | | |

SPARE PARTS CODE - CABINET AND DOOR

* On demand

Bold=last change

| | | | |
|---------------------------------|----------------------------------|---------|-------------------------|
| From Ser. Nr. Up to Ser. Nr. | Ed. 01 2023-03 Ed. 01 2023-03 | Page: 4 | Doc No:595R07J00 |
|---------------------------------|----------------------------------|---------|-------------------------|



COOLING UNIT AND CONTROL PANEL

From Ser. Nr.
Up to Ser. Nr.

Ed. 01 2023-03
Ed. 01 2023-03

Page: 5 @

Doc No:595R07J00

| POS | FACTORY CODE | S.P. CODE | DESCRIPTION | V | W&T | REF. | NOTES | S/N BREAK (YYYY/WK) |
|-----|--------------|-----------|---|---|-----|------------|-------|---------------------|
| 30 | 0504R01U00 | | Evaporator carter | | x | | | |
| 31 | 0857796200 | 088624 | Fan evaporator assembly | x | | | | |
| 32 | 0504R37400 | 097670 | User board protection | | x | | | |
| 33 | 0648R02M00 | 097726 | User board | x | | | | |
| 34 | 0639R23600 | 097673 | Grommet | x | | | | |
| 35 | 0684R15900 | 097620 | Compressor TECUMSEH | x | | a; c; f; g | 50 Hz | |
| 35 | 0684R16000 | 097621 | Compressor TECUMSEH | x | | b; d; e | 60 Hz | |
| 36 | 0830797603 | 088625 | Gas condenser | x | | | | |
| 37 | 0856R26200 | 094830 | Motor fan condenser ELCO 230-240V/50-60 HZ assembly | x | | | | |
| 38 | 0514R09700 | 092853 | Protection fan condenser | x | | | | |
| 39 | 0805747600 | 087438 | Filter DML052 S | x | | | | |
| 40 | 0845713000 | 085505 | Schrader filling valve H42 | x | | | | |
| 41 | 0845721203 | 088627 | Evaporator | x | | | | |
| 42 | 0646754601 | 088475 | Thermostatic valve/Expansion valve | x | | | | |
| 44 | 0541716703 | 088619 | Back grid | x | | | | |
| 45 | 0805R01Q01 | 097689 | Pipe exchanger | x | | | | |
| 46 | 0855R0A501 | 097697 | Electric box assembly | x | | | | |
| 46a | 0510781103 | 097669 | Electric box | x | | | | |
| 47 | 0855R09S01 | 097693 | Clamp with wiring | x | | | | |
| 48 | 0648807300 | 088477 | Contactora 220-230 50 hz | x | | a; c; f; g | 50 Hz | |
| 48 | 0648729200 | 099090 | Contactora 240 60hz | x | | b; d; e | 60 Hz | |
| 49 | 0648802701 | 056510 | Relay Finder 24 V | x | | | | |
| 49a | 0648703800 | 083215 | Relay Finder 60.62.8.230 | x | | | | |
| 49b | 0648725400 | 088197 | Relay RA | x | | | | |
| 50 | 0624711702 | 087662 | Voltage adaptor 230/24 V | x | | | | |
| 51 | 0694700800 | 084987 | Filter LC | | x | | | |
| 52 | 0648R04902 | 093125 | Main board | x | | | | |
| 53 | 0546401600 | 095984 | Main board spacer | x | | | | |
| 54 | * | * | Lion board connectivity | | x | | | |
| 55 | * | * | Connectivity bracket LAN cable | | x | | | |
| 56 | 0546R08D00 | 097674 | Round spacer Ø 6,2 ; EX 9,0 | x | | | | |
| 57 | 0646R07200 | 092177 | Blu cell probe | x | | | | |
| 58 | 0646R12000 | 093531 | Gray evaporator probe | x | | | | |
| 59 | 0648729500 | 090089 | Capacitor 5 UF UL-CSA | x | | | | |
| 59 | 0648730000 | 096009 | Capacitor 3 UF UL-CSA | x | | | | |
| 60 | 0506748800 | 089860 | Food probe support | x | | | | |
| 61 | 0805725501 | 083403 | Liquid receiver | x | | | | |
| 62 | 0646749000 | 088351 | Coil for solenoid valve | x | | | | |
| 65 | 0646723000 | 084085 | Solenoid valve | x | | | | |
| 66 | 0514752001 | 088623 | Motor fan grid | x | | | | |
| 67 | 646R20300 | 096201 | Pressure switch for high pressure | x | | | | |

SPARE PARTS CODE - COOLING UNIT AND CONTROL PANEL

* On demand

Bold=last change

| | | | |
|---------------------------------|----------------------------------|---------|-------------------------|
| From Ser. Nr. Up to Ser. Nr. | Ed. 01 2023-03 Ed. 01 2023-03 | Page: 6 | Doc No:595R07J00 |
|---------------------------------|----------------------------------|---------|-------------------------|

* On demand

Bold=last change

From Ser. Nr.
Up to Ser. Nr.

Ed. 01 2023-03
Ed. 01 2023-03

Page: 7

Doc No:595R07J00

Electrolux Professional SpA
Viale Treviso, 15
33170 Pordenone, ITALY
Fax (+39) 0434 380 201
<https://www.electroluxprofessional.com>
<https://webgate.electroluxprofessional.com>